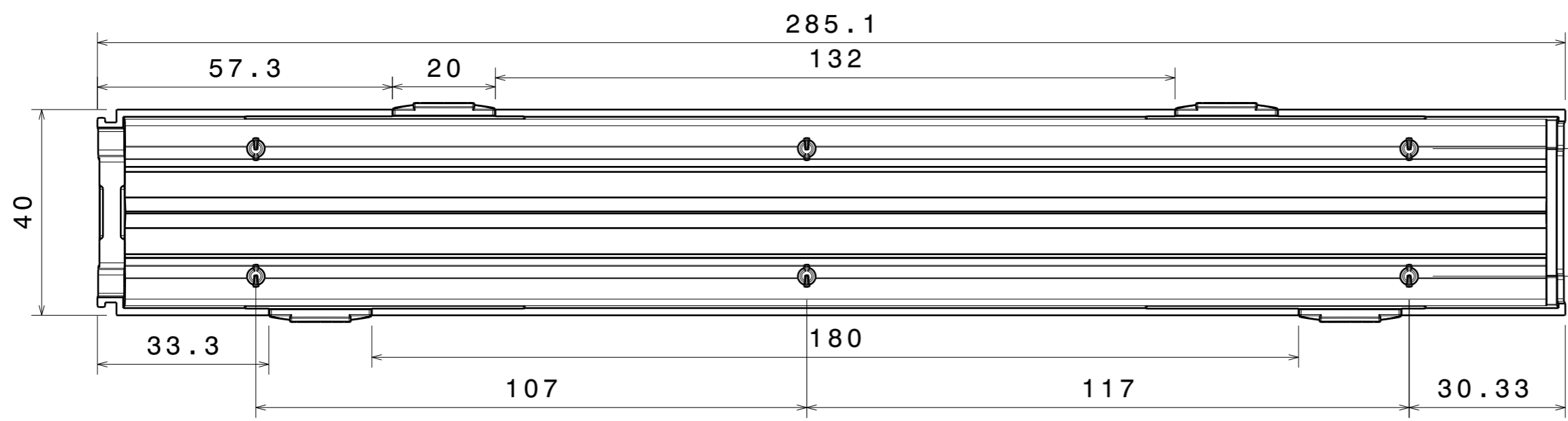
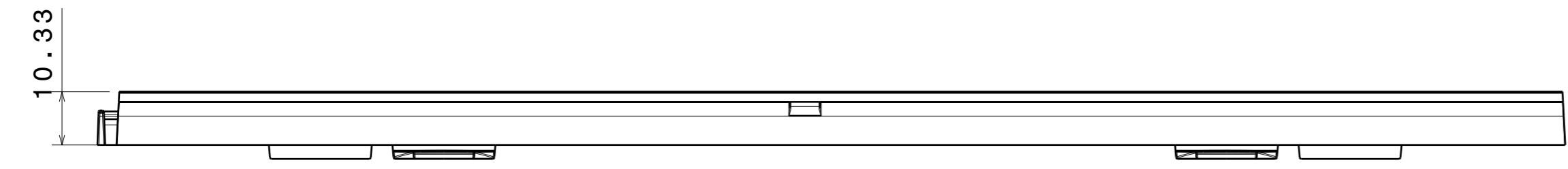


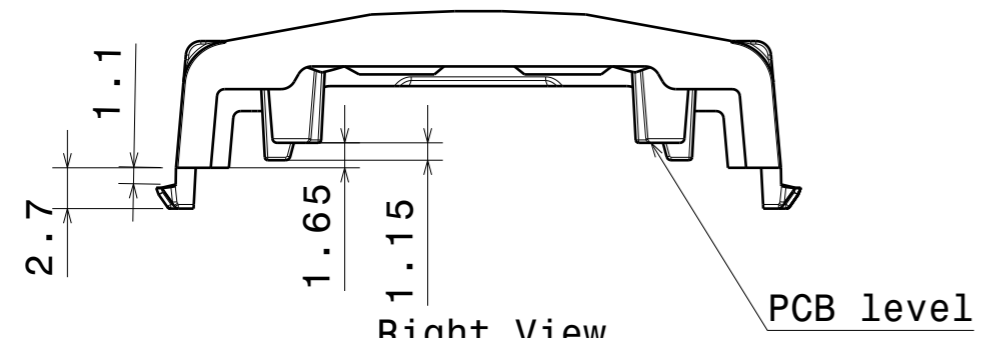
DATE
22.12.2021



Bottom View
Scale: 1:1



Front View
Scale: 1:1



Right View
Scale: 2:1

PART	TYPE	MATERIAL	COLOR / COATING
F16048_LINNEA-UP		PC	CLEAR

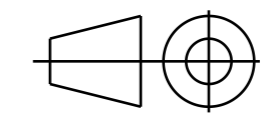
MECHANICAL DRAWING

PRODUCT
LINNEA



Plastic moulding general tolerances according to DIN 16901-130 and applies if not otherwise shown in the drawing. Silicone moulding general tolerances according to ISO 3302-1 Class M3 and applies if not otherwise shown in the drawing.

FIRST ANGLE PROJECTION:



This drawing is the property of LEDiL Oy. It may not be copied or otherwise distributed without prior written permission from LEDiL Oy.

SCALE 1:1

WEIGHT -

A3 SHEET 1/1

Notes

●	PCB or heatsink level.
●	LED location
	Ensure LED fitting from a product specific 3D model available from www.ledil.com
	For more details about installation please see LEDiL Installation Guide on www.ledil.com